

Datasheet

ALINA LED DOWNLIGHTS

TRI-COLOUR 24 PACK

CAT. NO. **PRODLIE90TRIWE, PROLDLE90TRIWE**



A brand of **legrand**

3 YEAR WARRANTY



UP TO 35,000h LIFE

IP44

2,500 V Surge Protection

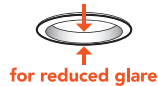


PRODLIE90TRIWE - Recessed Face

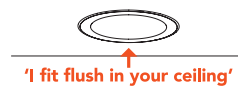


PROLDLE90TRIWE - Flush Face

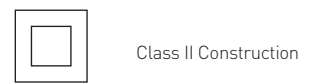
Recessed diffuser



for reduced glare



'I fit flush in your ceiling'



PRODUCT SPECIFICATIONS

Cat. No.	PRODLIE90TRIWE	PROLDLE90TRIWE
Downlight Colour	White	
Supply Voltage	230-240 V ~ 50 Hz	
Power Input	7 W	
LED Light Tri-colour Range	710 lm† 3,000K (Warm White) 770 lm† 4,000K (Cool White) 760 lm† 5,000K (Natural White)	740 lm† 3,000K (Warm White) 800 lm† 4,000K (Cool White) 790 lm† 5,000K (Natural White)
Efficacy	106 lm/W (Warm White) 118 lm/W (Cool White) 113 lm/W (Natural White)	110 lm/W (Warm White) 120 lm/W (Cool White) 118 lm/W (Natural White)
Colour Rendering Index (CRI)	80+	
Power Factor	0.9	
Beam Angle	103°	107°
Average Lifespan	35,000 hours*	
Ambient Test Temperature	ta: 25° C	
Dimming	Dimmable > (trailing edge dimmer)	
Ceiling Cut-out Size	Ø90mm	
Depth into Ceiling	56 mm	46 mm
Face Type	Recessed	Flush
Fascia Size	Ø113 mm	
IP Rating	IP44**	

† Lumens displayed are typical values.

>For suitable dimmers, refer to the instruction sheet inside the box.

* Rated average lamp life in open air at 25°C, actual life will vary in individual circumstances.

**IP Rating: Front face - when installed as per instructions.

Datasheet

ALINA LED DOWNLIGHTS

TRI-COLOUR 24 PACK

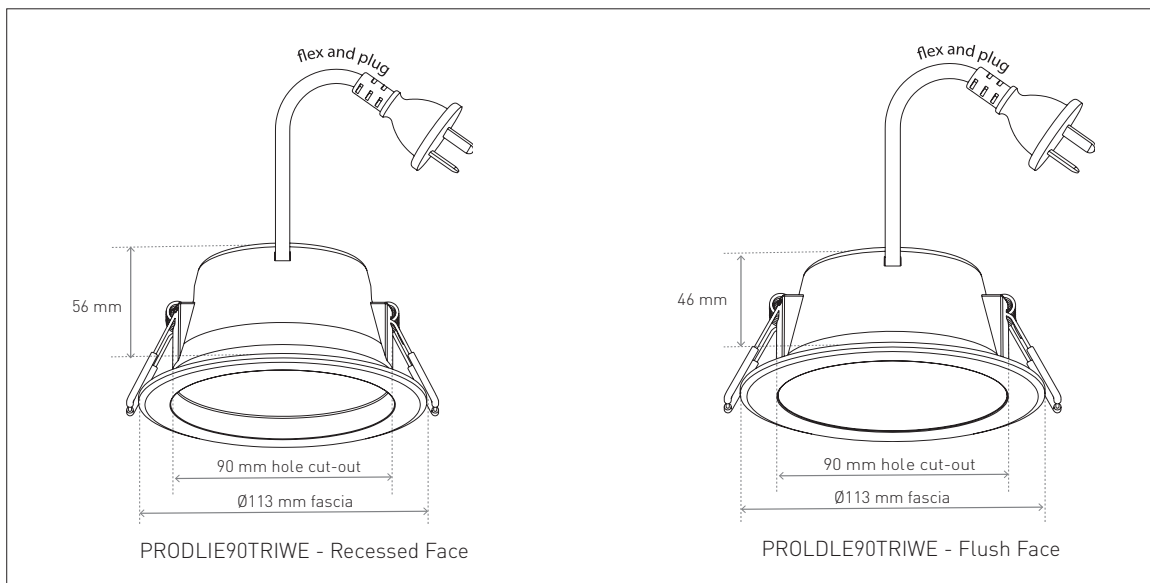
CAT. NO. **PRODLIE90TRIWE, PROLDLE90TRIWE**



A brand of **legrand**

FEATURES AND BENEFITS

- Light colour selector: Easily switch between Warm (3,000K), Cool (4,000K) and Natural (5,000K) light colour temperatures
- Suitable for low ceiling cavities
- High quality flame retardant plastic construction
- Integral dimmable driver compatible with most quality dimmers
- For optimum dimming performance we recommend HPM or Legrand dimmers
- IP44 rating suitable for outdoor undercover areas
- 2,500 V electrical surge protection
- IC-4 & IC-F insulation rating: This downlight can be fully covered and abutted by insulation material



SHIPPING

Single Pack (Qty 24)			
Cat. No.	Barcode	Product Weight (kg)	Packaging Dimensions (mm)
PRODLIE90TRIWE	9321001524182	5.0	240 x 245 x 485
PROLDLE90TRIWE	9321001524199	4.7	

Outer Box (Qty 48)			
Cat. No.	Barcode	Outer Box Weight (kg)	Outer Box Dimensions (mm)
PRODLIE90TRIWE	9321001524793	10.0	485x 490 x 495
PROLDLE90TRIWE	9321001524809	9.4	

Legrand - Australia
1300 369 777
www.hpm.com.au
ABN 31 000 102 661

Legrand - New Zealand
0800 476 009
www.hpm.co.nz

Refer to your group buying office, Legrand Sales Representative or Legrand Sales Office for pricing.

Please note: specifications are subjected to change without prior notice.



LE146584B

07/20/24